



सत्यमेव जयते

Dr. Dinesh Kumar Goyal I.A.S.

Principal Secretary to Government of Rajasthan
Public Works Department

डॉ. दिनेश कुमार गोयल आई.ए.एस.

शासन प्रमुख सचिव, राजस्थान सरकार
सार्वजनिक निर्माण विभाग

No. F- 241/ P&M-II/ 09/ 361

Fax

0141-5153222 Ext. 1587 (O)
0141-2227107 (O)

5022, Main Building, Secretariat,
Jaipur-302 005

5022, मुख्य भवन, सचिवालय,
जयपुर- 302 005

Dated 21 December 2009

Sub: Positions of various utilities on the road sides.

CIRCULAR (R-09/04)

It has been often observed that the utility Services on road like electric pole, telephone pole, tress, drinking water pipeline, sewer line, road side Advertisements etc. are not provided as per norms fixed in IRC: 98-1997 and 46-1972. In this regard, directions have been issued time and again, but the compliance of the same has not been effected strictly. It is enjoined upon all concerned to ensue that:

1. For new roads, there should be advance planning to earmark the position of each utility line expected along the road and provide space therefore in such a manner that it does not interfere with other services or safe operation of the road.
2. For existing roads, proposals for new utility line should be carefully examined to ensure that the existing service lines and future road development needs are not affected adversely.
3. The depth of installation depends on the type of service line accommodated. The minimum depth should not be less than 0.60m. The different service lines are also to be located at different depth so that cross connection of a service line is not obstructed by the another line.
4. Gravity sewer lines, from operational angle are required to be laid at substantial depth, from 2 to 6m, depending on the topography of the area.
5. Recommendation as per IRC 98-1997 about the depth of laying of the various service lines along the road is as below.

SN	Item	Depth* in Meter
1	Trunk sewer line	2 to 6
2	Water supply line	
	Service line	0.6 to 1.0
	Trunk Line	1.0 to 1.5
3	Electric Cable	
	L.T. Cable	0.6 to 1.0
	H.T. Cable	1.5 to 2.0
4	Telecommunication Cable	
	Directly laid	0.6 to 1.0
	Laid in ducts	2.0 to 3.0
5	Gas mains and lines Carrying combustible material	2 to 3.0

*Depths be taken from the lowest end of adjoining ground.

6. As far as possible, the utility lines should be accommodated in the space specially earmarked for the purpose. Generally a width 2-3 m for services on either side of the road will be adequate in most cases. In cases where earmarked space for services is not available, the service lines should be accommodated under footpaths, and in their absence, at the extreme ends of the right of way.
7. Plantation should invariably be carried out or allowed along the right of way near the edge only. No plantation should be allowed within 5 m from the edge of the berms.
8. In open areas, laying of various services lines are not to be allowed within 3m or 5m from the edge of berms so that in future development no expenditure is required on account of shifting of these utilities.
9. At curves, the distance on inner side be kept as minimum 5 m.
10. Advertisements are objectionable (As per IRC 46-1972)
 - (i) At or within 100m of any road junction, bridge or another crossing.
 - (ii) Within 10 m of the edge of a carriageway.
 - (iii) Within right of way of the road.
11. The general rule for maximum permissible area of advertisements should be 0.3 sq. metre per metre of setback from the edge of the carriageway.
12. Location for trees for State Highways and Major District Roads should be as per drawing enclosed.

Encl: - 1. Suggested location for utility services along local streets
 2. Suggested location for roads in open area, and Typical X Section for plantation on State Highways, Major Distt. Road, Other Distt. Road and Village Road.

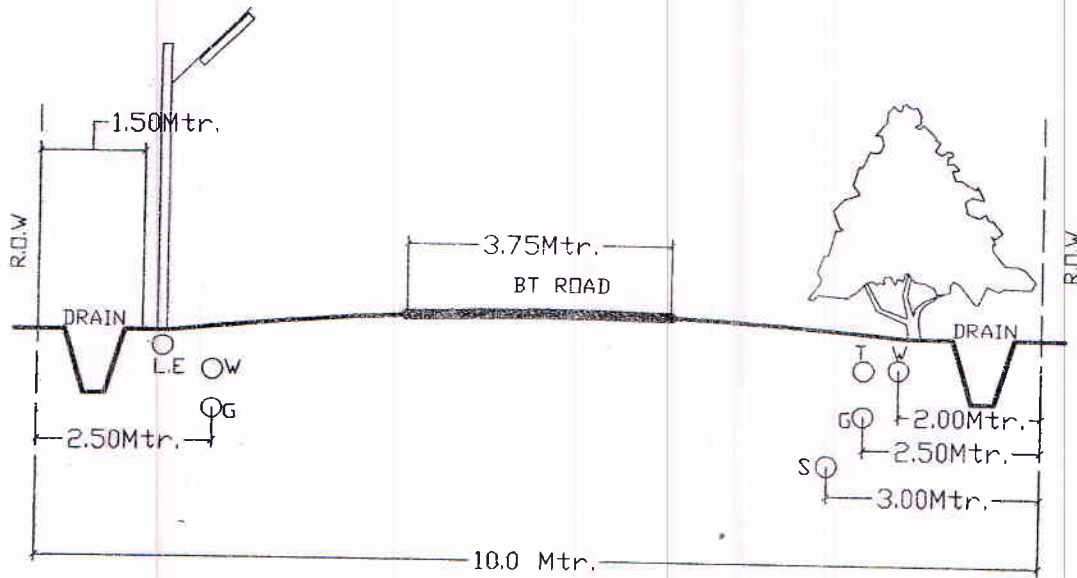
Yours sincerely,

(Dr. Dinesh Kumar Goyal)

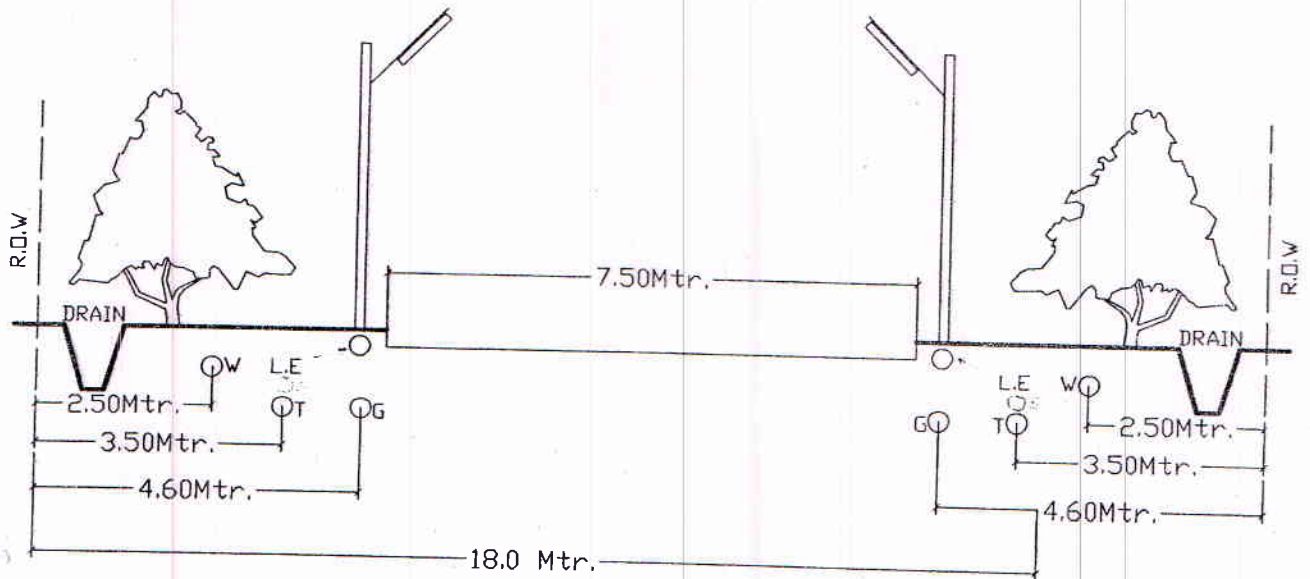
Copy for kind information/ necessary action to:

1. Principal Secretary to CM, Govt. of Rajasthan, Jaipur
2. P.S. to Hon'ble Minister, PWD, Govt. of Rajasthan, Jaipur
3. P.S. to Hon'ble Minister, Rural Development & Panchyat Raj, Govt. of India New Delhi.
4. DS to Chief Secretary, Govt. of Rajasthan, Jaipur
5. Principal Secretary, Finance Deptt., Govt. of Rajasthan, Jaipur
6. Principle Secretary/ Secretary to GoR (All) for circulation to Organizations under their control.
7. Secretary, PWD, Govt. of Rajasthan, Jaipur
8. Managing Director, RICCO, Jaipur
9. Commissioner, Rajasthan Housing Board/ Avas Vikas Sansthan, Jaipur
10. Commissioner, JDA Jaipur/ JoDA Jodhpur/ CEO, JMC Jaipur
11. Administrator, Rajasthan State Agriculture Marketing Board, Jaipur
12. Addl. Secy. & Chief Engineer, PWD, Rajasthan, Jaipur
13. Chief Engineer, NH/ Building / PMGSY/ SS, PWD, Rajasthan, Jaipur.
14. Managing Director, RSRDCC, Jaipur
15. Addl. Chief Engineer, PWD Zone(All)
16. Superintending Engineer, PWD Circle.....(All).
17. TA-I/ SE (R) / BOT/ TR/ PMGSY/NH/ Building/ SS
18. Executive Engineer, PWD Division(All).
19. ACP/ Section-II/ Joint L.R. / DDS

Principal Secretary, PWD



(a) LOCAL STREET (CUL-DE-SAC)



(b) LOCAL STREET (DOUBLE LANE)

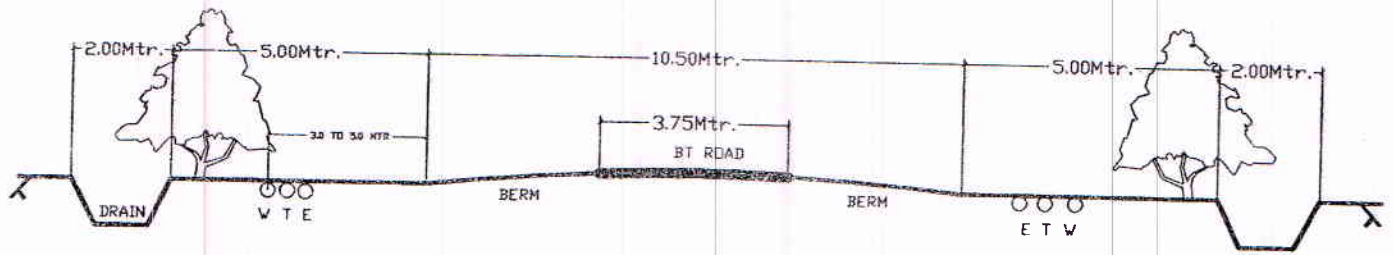
NOTES:-

1. ALL DIMENSIONS ARE IN METRES.
2. THE LOCATION OF SERVICES ARE SUGGESTIVE ONLY AND WILL DEPEND ON NUMBER, SIZE AND TYPE OF SERVICES TO BE ACCOMMODATED, SPACE AVAILABLE FOR SERVICES, ETC.
3. OPEN DRAINS FOR STORM WATER DRAINAGE MAY BE REPLACED BY CLOSED DRAINS/PIPES AS PER SITUATION.
4. DEPTH WOULD BE IN ACCORDANCE WITH POINT-5

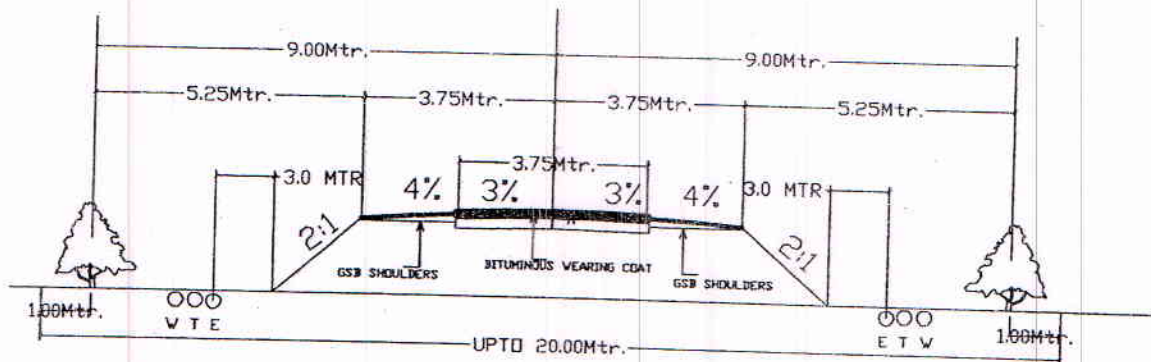
LEGENDS:-

- L-LIGHTING CABLE
- E-ELECTRICITY CABLE
- W-WATER SUPPLY LINE
- T-TELEPHONE CABLE
- S-SEWER
- G-GAS LINE

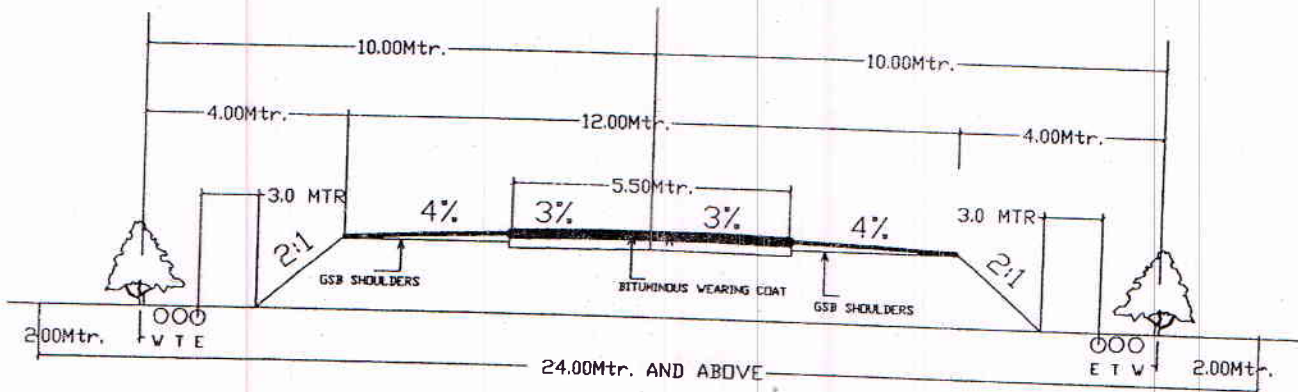
SUGGESTED LOCATIONS FOR UTILITY SERVICES ALONG LOCAL STREETS



SUGGESTED LOCATION OF SERVICES FOR ROADS IN OPEN AREA



TYPICAL X SECTION FOR PLANTATION ON MAJOR DISTT. ROADS



TYPICAL X SECTION FOR PLANTATION ON STATE HIGHWAYS